

NETWORK MODULE

DESCRIPTION

A compact module giving the capability to connect multiple C4A controllers onto a network for monitoring.

This unit can be assigned addresses ranging from 01 to 99. Two conditions are communicated;

- a) C4A system going into alarm
- b) C4A system having any fault such as mains fail, short circuit of wiring or weak battery.

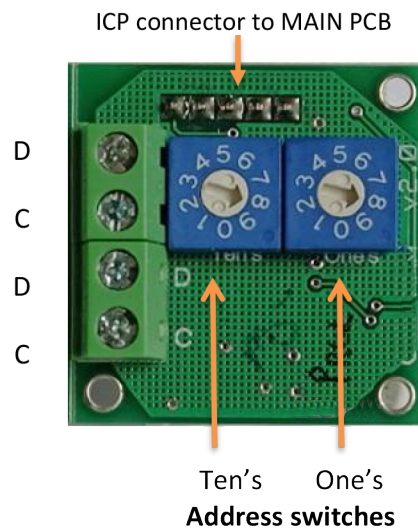
SPECIFICATION

- Dimensions (mm): 32.5(L) x 31.5(W) x 20.3(H)
- Input voltage: 5VDC Nominal
- Output range: 1KM end to end using 1sq.mm wiring

BLOCK DIAGRAM

Network connections

Input or output can be wired into either terminal block



INSTRUCTIONS

STEP 1

Mount the network module onto the MAIN PCB. Two locking PCB supports have been provided for the same.

STEP 2

Wire the network bus connections into C and D. Either pair can be used as input or output. Please **observe polarity** throughout the network.

STEP 3

Set the address by adjusting the positions on the rotary switches.

For example;

Address 08 Ten's : 0 One's : 8

Address 52 Ten's : 5 One's : 2

Address 91 Ten's : 9 One's : 1

Note: Address 00 in not usable



+44(0)151 606 1000



www.cqr.co.uk



info@cqr.co.uk