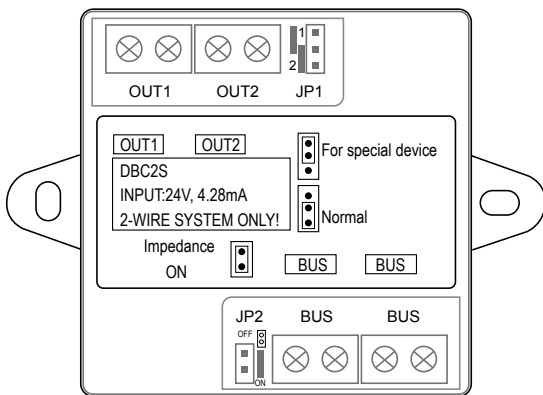


1. Introduction:

The DBC2S is a branch controller which is designed for DT 2-wire system with two Outputs/Inputs. The features are as follows:

- 2 outputs branch controller;
- Automatically matching for all DT devices.

2. Terminal Description:



BUS: Input port, bus connection port.

OUT1: Output port, connect to indoor monitor or next DBC2S.

OUT2: Output port, connect to indoor monitor or next DBC2S.

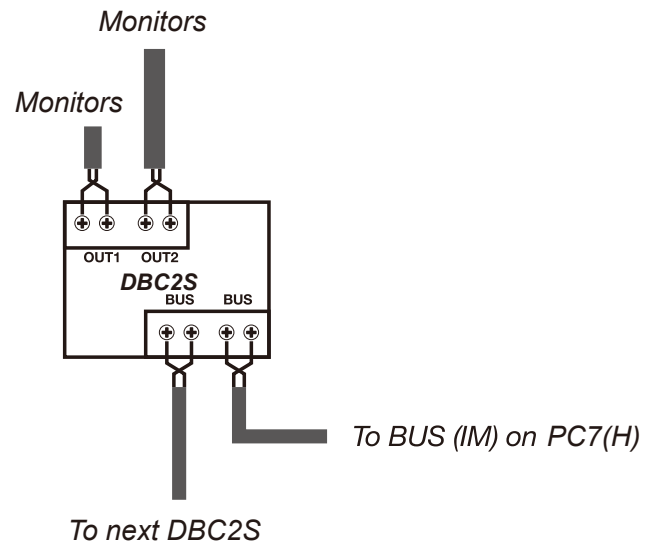
JP1: Video gain.

JP2: Impedance.

3. Specification:

Power supply:	DC24V
Working Temperature:	-10 ⁰ C~+40 ⁰ C
Wiring:	2 wires (non-polarity)
Dimension:	45*45*16mm

4. Wiring:



5. Warning:

- The unit can only be used in DT 2 wire products supplied by our company.
- Don't connect the unit with any non-specified power source. Fire or electric shock could result.
- Don't dismantle or alter the unit. Fire or electric shock could result.
- The unit must be installed and wired by a qualified technician.
- Keep the unit away from water or any other liquid. Fire or electric shock could result.