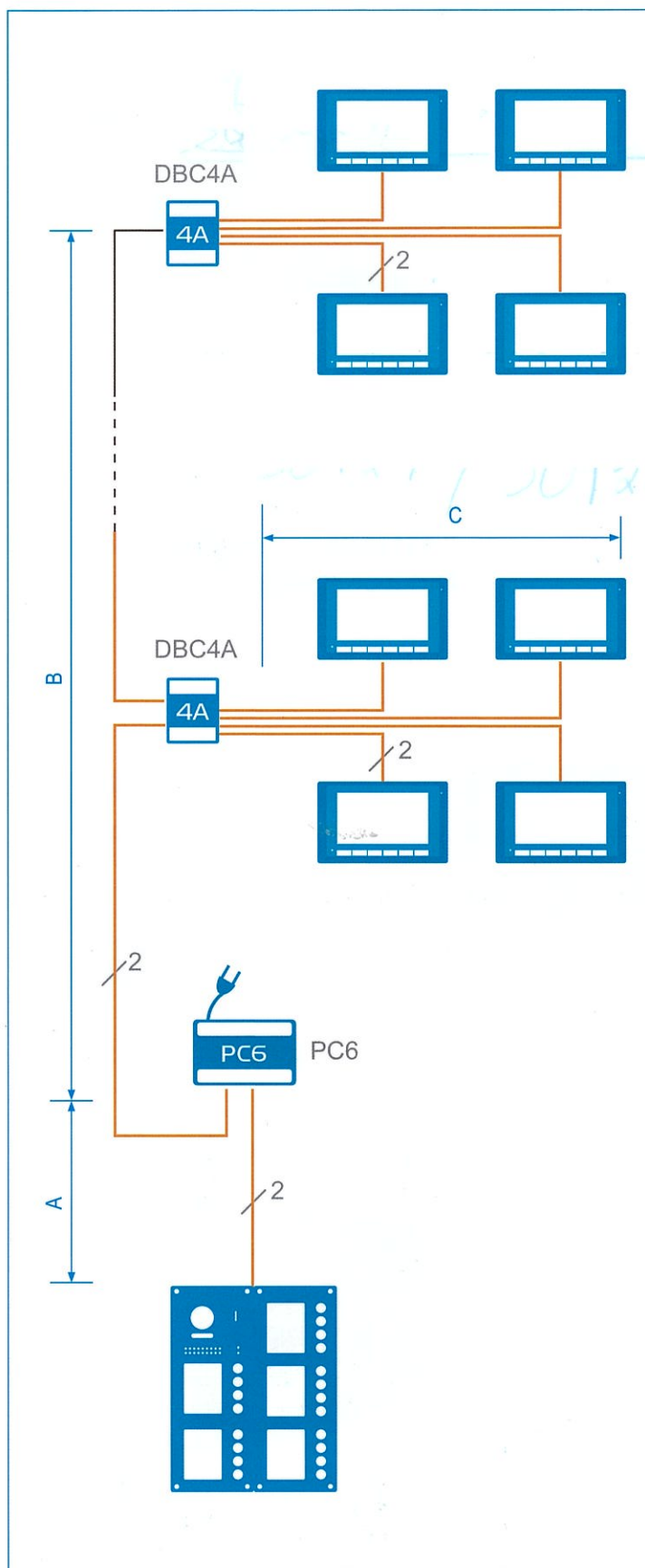


## Diagram in apartment application

### Connection Diagram



### Cable and Distance

The maximum distance of the wiring is limited in the DT system. Using different cables may also effect the maximum distance of the system can reach.

#### When Monitor Quantity < 20

| Cable Usage                         | A  | B  | C  |
|-------------------------------------|----|----|----|
| Twisted cable 2x0.75mm <sup>2</sup> | 60 | 60 | 30 |
| Twisted cable 2x1 mm <sup>2</sup>   | 80 | 80 | 40 |

#### When Monitor Quantity ≥ 20

| Cable Usage                         | A  | B  | C  |
|-------------------------------------|----|----|----|
| Twisted cable 2x1 mm <sup>2</sup>   | 70 | 30 | 20 |
| Twisted cable 2x1.5 mm <sup>2</sup> | 70 | 50 | 30 |

Cables should be non-shielded! And the twisted cables are recommended, if non-twisted cable is used, the total distance will remain only to half.