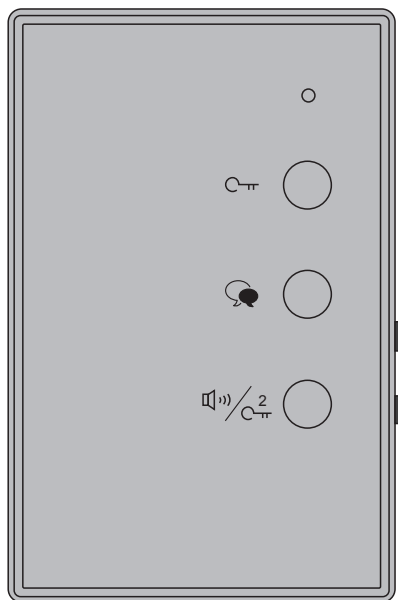


# DT-DJ7A

## Audio Phone

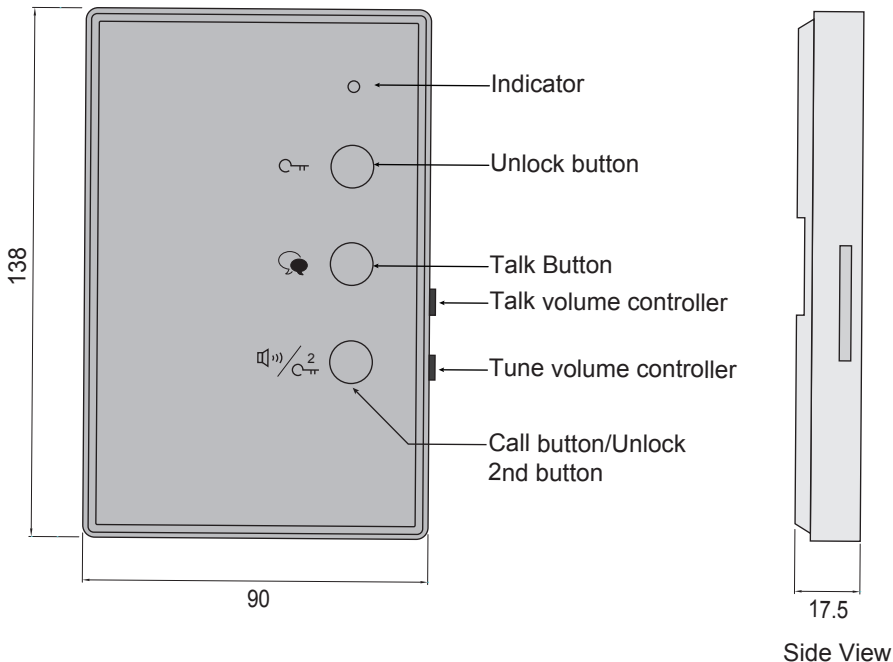


## User Manual

① Read this manual carefully before using the product, and keep it well for future use.



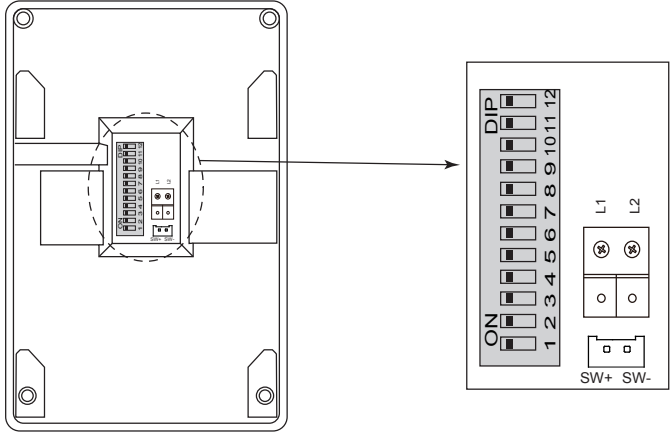
# 1. Parts and Functions



## Key functions

Unlock button	Press it to release the door; In setup mode, press it to exit the setup state.
Talk button	In standby mode, long press it to enter setup mode; During called state, press it to communicate hands free with visitor; In setup mode, press it to switch a group of ring tunes.
Talk volume controller	Adjust the talk volume.
Tune volume controller	Adjust the tune volume.
Call button/Unlock 2nd button	In standby mode, press it to activate inner call; During called state, press it to release the second door; In setup mode, press it to exit the setup state.

## 2. Terminal Descriptions



**L1, L2:** Bus terminal.

**SW+, SW-:** Door bell call button connection port.

**DIP:**

Bit-1~7: Used to User Code setting or Extended Address setting(Bit-10 set to ON).

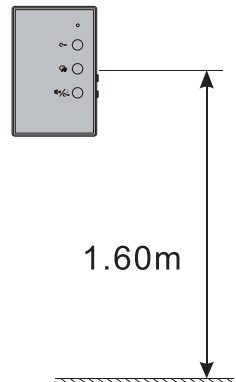
Bit-8~9: Used to Slave Monitor Address (Bit-10 set to OFF).

Bit-11: Set to ON if the monitor is at the end of the line;Otherwise, set to OFF.

Bit-12: Reserved.

## 3. Unit Mounting

- 1). Fix 2 screws to the wall at a appropriate height;
- 2). Connect the system correctly;
- 3). Attach the audio phone to the bracket.



## 4. Operation Instructions

1) **Door release function:** When visitor calls from outdoor station, the monitor rings, press **Talk** button to talk with the visitor, then press the **Unlock** button to open the door. If the system connect 2 locks, press **Call button/Unlock 2nd** button to open the second door.













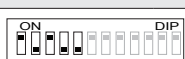
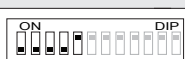

2) **Inner call:** When the monitor is in standby mode, press **Call button/Unlock 2nd** button to activate the inner call.


















## 5. Setup Instructions

### 5.1 User Code Setting

In the DT system, every apartment must have a unique identification called User Code. The DIP switches are used to configure the User Code for each Monitor.

- Bit-1~5 are used to User Code setting. The value is from 1 to 32, which have 32 different codes for 32 apartments.
- Bit-11 is used to video match.

Bit State	User Code	Bit State	User Code	Bit State	User Code
	Code=1		Code=12		Code=23
	Code=2		Code=13		Code=24
	Code=3		Code=14		Code=25
	Code=4		Code=15		Code=26
	Code=5		Code=16		Code=27





Bit State	User Code	Bit State	User Code	Bit State	User Code
	Code=6		Code=17		Code=28
	Code=7		Code=18		Code=29
	Code=8		Code=19		Code=30
	Code=9		Code=20		Code=31
	Code=10		Code=21		Code=32
	Code=11		Code=22		

## 5.2 Slave Address Or Extended Address Setting

















When multi Monitors are installed in one apartment, these Monitors have to use the same User Code setting, and the Master/Slave mode should be set on the Monitor.

- Bit-6~7 are used to extended address setting, but Bit-10 set to ON.
- Bit-8~9 are used to slave address setting, but Bit-10 set to OFF.

5.2.1 When Bit-10 set to OFF, the Bit-8~9 are used to master/slave address setting:

Bit State	Master/Slave type
	Master monitor
	Slave monitor 1
	Slave monitor 2
	Slave monitor 3

### 5.2.2 When Bit-10 set to ON, the Bit-6~7 are used to extended address setting:

Bit State	User Code	Bit State	User Code
	Code=1		Code=65
	Code=2		Code=66
...	...	...	...
	Code=31		Code=95
	Code=32		Code=96
	Code=33		Code=97
	Code=34		Code=98
...	...	...	...
	Code=63		Code=127
	Code=64		Code=128

## 5.3 Ring Tune Setting

1). There are three groups ring tunes to choose for you:

Group name	Items	Songs
Group1	Door Station	RING_DingDong
	Intercom Call	RING_tender
	Door Bell	RING_MorningRING
Group2	Door Station	RING_MorningRING
	Intercom Call	RING_mess
	Door Bell	RING_Popular
Group3	Door Station	RING_call
	Intercom Call	RING_Popular
	Door Bell	RING_DingDong

2). Press and hold **Talk** button in standby mode to enter the state of ring tune setting, and then each time you press **Talk** button to switch a group of ring tunes. Three groups ring tunes cycle:



3). If there isn't any operation within 10s, or press any button, it will exit the setting.

## 6. Specification

- Power Supply: DC26V
- Power Consumption: standby 4.4mA, working 81mA
- Working Temperature: -15°C ~ +45°C;
- Wiring: 2 wires, non-polarity
- Dimension: 90(H)X138(W)X17.5(D)mm